

MERIDIAN

TICKETING KIOSK

Meridian's Ticket Solutions streamlines the ticket printing and the payment accepting process, freeing up staff and increasing customer satisfaction rates. Designed to allow users a contactless way to place orders, make payments, and print their tickets all in one convenient location.



OPTIONAL COMPONENTS

- Payment Terminal
- Bill Acceptor
- HD Camera
- Barcode Scanner
- Rugged Keyboard
- WiFi or Cellular Connectivity
- Printer Options
- Additional Overhead Display

AVAILABLE SCREEN SIZES

Both landscape and portrait orientation available



SCREEN

- High Definition LED
- 1920x1080P Resolution
- 16:9 Aspect Ratio



*Delivering American Made
Self Service Solutions Since 1999*

POWDER COAT COLOR OPTIONS:



Black Silver White

Custom Pantone Matching Available
Full Color Lexan Laminated Graphics Available

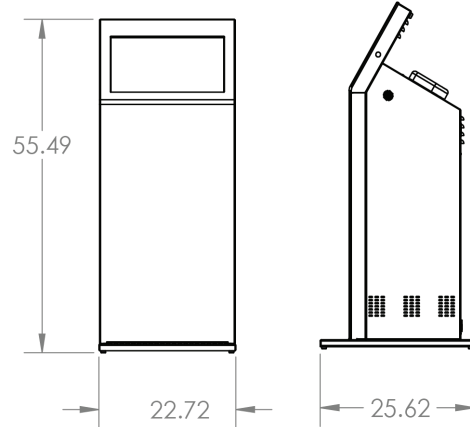


STANDARD CONSTRUCTION

- Durable Steel Enclosure
- High Quality Powder Coat Finish
- Standard Security Locks
- Front Access
- ADA Compliant

DIMENSIONS (22" UNIT*)

Height: 55.5" Width: 22.7"
Depth: 25.6" Weight: ~ 190 lbs
Base Plate: 22.7" x 25.6"



**Dimensions and drawings for other screen sizes available upon request*

POWER

- 120 Volt, 20 AMP Circuit, 50/60 Hz
- Internal Power Strip with Surge Protection
- International Power Conversion Available



Meridian is a complete end-to-end self-service innovator, all of our products are designed and built in house, OEM solutions are available upon request.

For More Information

SALES@MZERO.COM | 866 454 6757



QUALITY + CERTIFICATION

Meridian promises a level of quality that goes beyond the expected. We control every step of our process from concept to completion, overseeing quality, design, cost and timelines. Many of our products can be UL Listed through UL self-certify and our processes are ISO 9001:2015 certified.

